



Apollo™ MS-WB670 Installation Instructions

Important Safety Information

⚠ WARNING

Failure to follow these warnings and cautions could result in personal injury, damage to the vessel, or poor product performance.

See the *Important Safety and Product Information* guide in the product box for product warnings and other important information.

This device must be installed according to these instructions.

Disconnect the vessel's power supply before beginning to install this product.

Before applying power to this product, make sure it has been correctly grounded, following the instructions in the guide.

⚠ CAUTION

To avoid possible personal injury, always wear safety goggles, ear protection, and a dust mask when drilling, cutting, or sanding.

NOTICE

When drilling or cutting, always check what is on the opposite side of the surface to avoid damaging the vessel.

You must read all installation instructions before beginning the installation. If you experience difficulty during the installation, contact Fusion® Product Support.

What's In the Box

- Four 8-gauge, self-tapping screws
- Power and speaker wiring harness
- Auxiliary-in, line-out, and subwoofer-out wiring harnesses
- NMEA 2000® drop cable

Tools Needed

- Phillips screwdriver
- Electric drill
- Drill bit (size varies based on surface material and screws used)

Mounting Considerations

⚠ CAUTION

In high ambient temperatures and after extended use, the device enclosure may reach temperatures deemed dangerous to touch. As a result, the unit must be installed in a location where it cannot be touched during operation.

NOTICE

This device should be mounted in a location that is not exposed to extreme temperatures or conditions. The temperature range for this device is listed in the product specifications. Extended exposure to temperatures exceeding the specified temperature range, in storage or operating conditions, may cause device failure. Extreme-temperature-induced damage and related consequences are not covered by the warranty.

When selecting a mounting location for the device, observe these considerations.

- You must mount the device in a location where it is not submerged.
- You must mount the device in a location with adequate ventilation where it is not exposed to extreme temperatures.
- You should mount the device so the cables can be connected easily.
- To achieve IPX2 water ingress protection, you must mount the device on a vertical surface with the connectors pointing downward.
- You can mount the device on a horizontal surface, but such positioning might not achieve IPX2 water ingress protection.
- To avoid interference with a magnetic compass, you must mount the device at least 15 cm (6 in.) away from a compass.

Mounting the Device

NOTICE

If you are mounting the device in fiberglass, when drilling the pilot holes, use a countersink bit to drill a clearance counterbore through only the top gel-coat layer. This will help to avoid cracking in the gel-coat layer when the screws are tightened.

NOTE: Screws are included with the device, but they may not be suitable for the mounting surface.

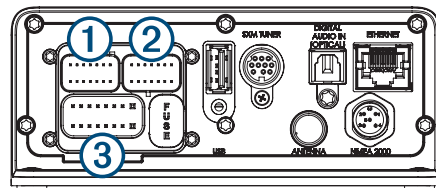
Before you mount the device, you must select a mounting location, and determine what screws and other mounting hardware are needed for the surface.

- 1 Place the device in the mounting location, and mark the location of the pilot holes.
- 2 Drill a pilot hole for one corner of the device.
- 3 Loosely fasten the device to the mounting surface with one corner, and examine the other three pilot-hole marks.
- 4 Mark new pilot-hole locations if necessary, and remove the device from the mounting surface.
- 5 Drill the remaining pilot holes.
- 6 Secure the device to the mounting location.

Connection Considerations

For the stereo to function correctly, you must connect it to power, to speakers, and to input sources. You should carefully plan the layout of the stereo, speakers, input sources, optional NMEA 2000 network, and optional Fusion PartyBus™ devices or network before making any connections.

Port Identification

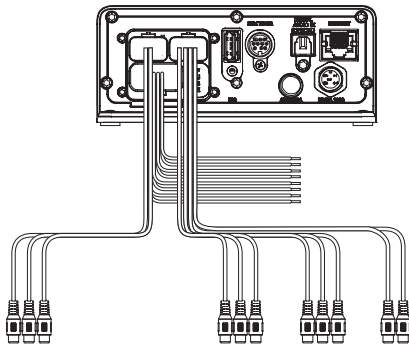


| Item | Description |
|------|--|
| ① | Connects the stereo to the wiring harness for zone 3. |
| ② | Connects the stereo to the wiring harness for auxiliary input 1, and for the line and subwoofer outputs for zones 1 and 2. |
| ③ | Connects the stereo to the power and speaker wiring harness. |



| Item | Description |
|----------------------------|---|
| FUSE | Contains the 15 A fuse for the device. |
| USB | Connects the stereo to a USB source. |
| SXM TUNER | Connects the stereo to a SiriusXM® Connect Tuner to receive SiriusXM stations where available (not included). Connects to a Fusion DAB module to receive DAB stations where available (not included). |
| DIGITAL AUDIO IN (OPTICAL) | Connects the stereo to an optical digital audio source, such as TV or DVD player. |
| ETHERNET | Connects the stereo to another Fusion PartyBus stereo, zone stereo, or network (<i>Fusion PartyBus Networking, page 4</i>). |
| ANTENNA | Connects the stereo to a typical AM/FM antenna. If you are installing the stereo on a boat with a metal hull, you must use a ground-dependent antenna. If you are installing the stereo on a boat with a non-metal hull, you must use a ground-independent antenna. See the installation instructions provided with your antenna for more information. |
| NMEA 2000 | Connects the stereo to a NMEA 2000 network (<i>NMEA 2000 System Wiring Diagram, page 4</i>). |

Wiring Harness Wire and Connector Identification



| Wire or RCA Connector Function | Bare Wire Color or RCA Label Name | Notes |
|--------------------------------|-----------------------------------|---|
| Ground (-) | Black | Connects to the negative terminal of a 12 Vdc power source capable of supplying 15 A. You should connect this wire before connecting the yellow wire. All accessories connected to the stereo must share a common ground location (<i>Connecting to Power, page 2</i>). |
| Power (+) | Yellow | Connects to the positive terminal of a 12 Vdc power source capable of supplying 15 A. |
| Ignition | Red | Connects to a separately-switched, 12 Vdc connection, such as an ignition bus, to turn the stereo on and off. If you are not using a switched 12 Vdc connection, you must connect this to the same source as the yellow (power) wire |
| Amplifier on | Blue | Connects to optional external amplifiers, enabling them to turn on when the stereo turns on. A connected amplifier must use the same ground (-) as the stereo for this signal wire to function correctly. |

| Wire or RCA Connector Function | Bare Wire Color or RCA Label Name | Notes |
|---|-----------------------------------|--|
| Telemute | Brown | Activates when connected to ground. For example, when you connect this wire to a compatible, hands-free mobile kit, the audio mutes or the input switches to AUX when a call is received and the kit connects this wire to ground. You can enable this functionality from the settings menu. |
| Dim | Orange | This wire is not used when installing this device. |
| Speaker zone 1 left (+) | White | |
| Speaker zone 1 left (-) | White/black | |
| Speaker zone 1 right (+) | Gray | |
| Speaker zone 1 right (-) | Gray/black | |
| Speaker zone 2 left (+) | Green | |
| Speaker zone 2 left (-) | Green/black | |
| Speaker zone 2 right (+) | Purple | |
| Speaker zone 2 right (-) | Purple/black | |
| Zone 1 line out (left) Zone 1 line out (right) Zone 1 subwoofer out | ZONE 1 ZONE 1 SUB OUT | Provides output to an external amplifier, and is associated with the volume control for zone 1. Each subwoofer cable provides a single mono output to a powered subwoofer or subwoofer amplifier. |
| Zone 2 line out (left) Zone 2 line out (right) Zone 2 subwoofer out | ZONE 2 ZONE 2 SUB OUT | Provides output to an external amplifier, and is associated with the volume control for zone 2. Each subwoofer cable provides a single mono output to a powered subwoofer or subwoofer amplifier. |
| Auxiliary in left Auxiliary in right | AUX IN | Provides an RCA stereo line input for audio sources, such as a CD or MP3 player. |
| Zone 3 line out (left) Zone 3 line out (right) Zone 3 subwoofer out | ZONE 3 | Provides output to an external amplifier, and is associated with the volume control for zone 3. Each subwoofer cable provides a single mono output to a powered subwoofer or subwoofer amplifier. |

Connecting to Power

When connecting the stereo to power, you must connect both power wires. The yellow power wire must connect to the battery to provide sufficient power to the stereo. The red ignition should be connected through the ignition or another manual switch to enable on/off control of the stereo. This installation method provides the best performance because the yellow wire retains a constant trickle-power draw that optimizes the startup time for the stereo.

NOTE: If you will be storing the vessel for an extended period of time, you should consider connecting the yellow wire through a breaker or similar switch, so you can disconnect the trickle-power draw from the yellow wire and avoid draining the battery during storage.

If you do not have the option of, or prefer not to use the ignition to turn the stereo on and off, you can connect the red wire and the yellow wire to the same switch on an electrical panel. This installation method results in a slightly longer startup time for the

stereo, but it will not draw power from the battery when the stereo is turned off using the switch.

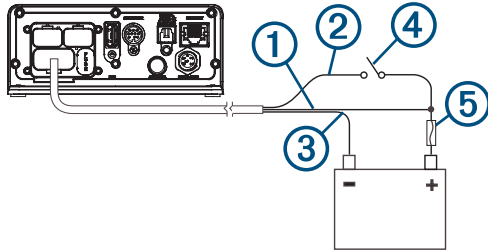
You must connect the power wires to the battery through a 15 A fuse or a 15 A circuit breaker.

If it is necessary to extend the yellow power and black ground wires, use 14 AWG (2.08 mm²) wire. For extensions longer than 1 m (3 ft.), use 12 AWG (3.31 mm²) wire.

If it is necessary to extend the red ignition wire, use 22 AWG (0.33 mm²) wire.

- 1 Route the yellow power ①, red ignition ②, and black ground ③ wires to the battery, and route the wiring-harness plug to the stereo.

Do not connect the wiring harness to the stereo until all of the bare wire connections have been made.



- 2 Connect the black wire to the negative (-) battery terminal.
- 3 If you are routing the red wire through the ignition or another manual switch ④, connect the red ignition wire to the ignition or switch.
- 4 Connect the red wire to the yellow wire, install a 15 A fuse ⑤ as close to the battery as possible, and connect both wires to the positive (+) battery terminal.

NOTE: If you are running the red wire through a fused switch, it is not necessary to connect the red wire to the yellow wire or to add an additional fuse to the red wire.

If you connect both the red and yellow wires through a 15 A circuit breaker, it is not necessary to add an additional fuse.

- 5 Connect the wiring harness to the stereo.

Speaker Zones

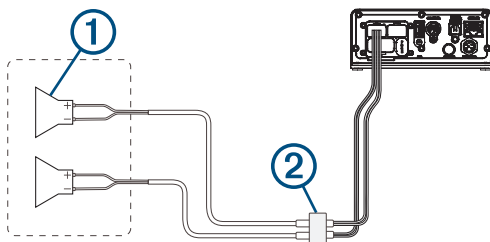
You can group speakers in one area into a speaker zone. This enables you to control the audio level of the zones individually. For example, you could make the audio quieter in the cabin and louder on deck.

Up to two pairs of speakers can be connected per channel of each zone, in parallel. One zone can support no more than four speakers using the on-board amplifier.

Zones 1 and 2 are powered by the on-board amplifier. Zone 3 is available as a line-level output only. To use the RCA line output and the RCA subwoofer output for zone 3, you must connect an external amplifier.

You can set the balance, volume limit, tone, subwoofer level, subwoofer frequency, and name for each zone, and configure other zone-specific settings.

Single-Zone System Wiring Example

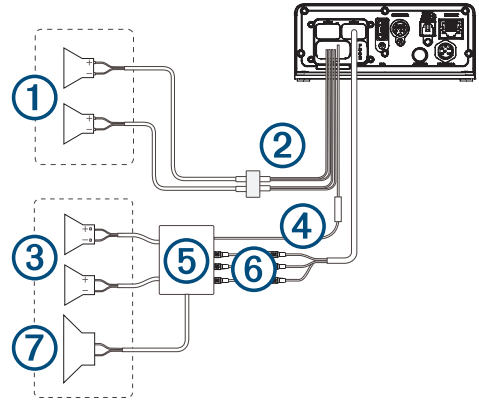


| | |
|---|------------------------|
| ① | Speakers |
| ② | Water-tight connection |

Speaker System Wiring Using a Line Out

This diagram illustrates a system installation with an external amplifier and subwoofer connected to zone 2 on the stereo using a line out. You can connect an amplifier and subwoofer to any or all of the available zones on the stereo.

NOTE: You can connect speakers to the speaker wires for the internal stereo amplifier while using the line out on zones 1 and 2, although adjusting the volume affects both the speakers connected to the internal amplifier and the line out. This may result in uneven volume levels.



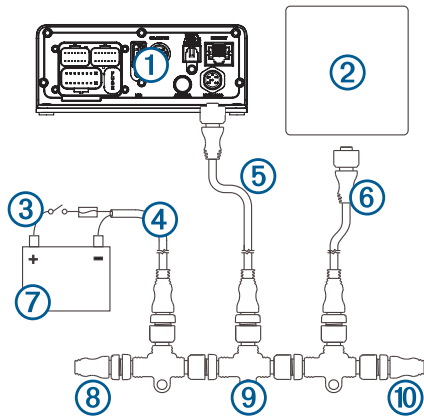
| | |
|---|--|
| ① | Zone 1 speakers |
| ② | Water-tight connection |
| ③ | Zone 2 speakers |
| ④ | Amplifier-on signal wire You must connect this wire to each amplifier connected to a zone line out. A connected amplifier must use the same ground (-) as the stereo for this signal wire to function correctly. |
| ⑤ | Powered amplifier connected to the zone 2 line out |
| ⑥ | Zone 2 line out and subwoofer out Each subwoofer cable provides a single mono output to a powered subwoofer or subwoofer amplifier. You may need to use an RCA splitter to connect this to an amplifier. |
| ⑦ | Subwoofer |

Connecting a SiriusXM Tuner Module

This device is compatible with a SiriusXM SXV300 or newer vehicle tuner module.

- 1 If you have already connected a USB source, disconnect it from the stereo.
- 2 Connect the cable from the SiriusXM tuner module to the SXM TUNER port on the back of the stereo.
- 3 Follow the instructions provided with the SiriusXM tuner module and antenna to complete the SiriusXM installation.
- 4 If necessary, reconnect the USB source.
- 5 Complete the stereo installation.

NMEA 2000 System Wiring Diagram



| | |
|---|--|
| ① | Stereo |
| ② | Supported chartplotter MFD or compatible Fusion NMEA 2000 remote control |
| ③ | In-line switch |
| ④ | NMEA 2000 power cable |
| ⑤ | NMEA 2000 drop cable from the stereo, up to 6 m (20 ft.) |
| ⑥ | NMEA 2000 drop cable from the chartplotter MFD or compatible Fusion NMEA 2000 remote control |
| ⑦ | 9 to 16 Vdc power supply |
| ⑧ | NMEA 2000 terminator or backbone cable |
| ⑨ | NMEA 2000 T-connector |
| ⑩ | NMEA 2000 terminator or backbone cable |

Fusion PartyBus Networking

The Fusion PartyBus networking feature allows you to connect multiple compatible stereos together on a network, using a combination of wired or wireless connections.

You can group a compatible stereo, such as the Apollo WB670 stereo, with other compatible stereos connected to the network. Grouped stereos can share available sources and control media playback on all of the stereos in the group, which allows for a synchronized audio experience across the vessel. You can quickly create, edit, and break up groups as needed from any compatible stereo or remote control on the network.

NOTE: A zone stereo, such as the Apollo SRX400, can create or join a group to control and play sources from other stereos, but it cannot share its sources with the group.

For additional considerations when sharing sources, see the owner's manual.

You can use compatible stereos and remote controls, whether they are grouped or not, to adjust the volume of the available speaker zones for any stereo on the network.

Wired Networking Considerations

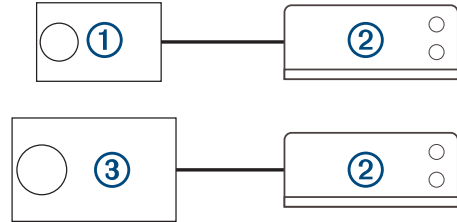
When you are planning your network installation, observe the following considerations for all wired connections.

- You must connect devices using standard Cat5e or Cat6 network cables with RJ45 connectors.
- You can use one network cable to directly connect two compatible devices.
- You must use wired network switches and wired or wireless network routers when you connect more than two compatible devices to a network.
- If you install a router on the network, it should be configured to be a DHCP server by default. See your router instructions for more information.

- If you do not install a router, and there are no other DHCP servers on the network, you should configure one Fusion PartyBus stereo to be a DHCP server.

Wired Network Example for Direct Connections

No network setting changes are needed when connecting two devices together directly.

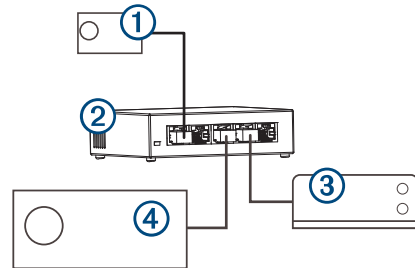


| | |
|---|---|
| ① | Fusion PartyBus zone stereo or remote control |
| ② | Apollo MS-WB670 stereo |
| ③ | Fusion PartyBus stereo |

Wired Network Example with a Switch or Router

You must use wired network switches, a wired network router, or both to connect more than two Fusion PartyBus devices.

No network setting changes are needed when connecting multiple Fusion PartyBus devices using a switch, but if you are using a router, you may need to configure it to be a DHCP server. See your router instructions for more information.



| | |
|---|---|
| ① | Fusion PartyBus zone stereo or remote control |
| ② | Wired network switch or wired network router |
| ③ | Apollo MS-WB670 stereo |
| ④ | Fusion PartyBus stereo |

Constructing a Network

You should have a basic understanding of networking when building a network for Fusion PartyBus devices.

These instructions guide you through the basics of building and configuring a network, and should apply to most situations. If you need to perform advanced networking tasks, such as assigning static IP addresses to devices on the network or configuring advanced settings on a connected router, you may need to consult a networking professional.

- 1 Determine the installation location of the Fusion PartyBus devices you want to connect to the network.

NOTE: Wired connections are more reliable than wireless connections. When planning your network, you should run network cables instead of using wireless connections when possible.

- 2 Determine the installation location of any needed network routers or switches.
- 3 Route Cat5e or Cat6 network cable to the installation locations of the stereos, switches, and router.
- 4 Connect the network cables to the stereos, switches, and router.

NOTICE

Do not completely install the stereos yet. You should test the network before you install the stereos.

- Turn on all devices connected to the network, including wireless devices.
- If you are using a network router (wired or wireless), consult the documentation provided with your router to configure the router as the DHCP server, if necessary.
All stereos should use their default configuration (DHCP CLIENT).
- Test the network by selecting **☰** > **GROUPS** to view a list of devices connected to the on the network, and select an option:
 - If any devices are not available to the network, troubleshoot the network ([Network Troubleshooting, page 5](#)).
 - If all devices are available to the network, complete the installation for each stereo, if necessary.

Network Configuration

Setting the Stereo as the DHCP Server

If you connected more than two network devices together directly or using a network switch or wireless access point and did not install a router, you should configure only one Fusion PartyBus stereo to be a DHCP server.

- Select **☰** > **SETTINGS** > **NETWORK** > **STATIC IP** > **SAVE**.
- Select **ADVANCED** > **DHCP SERVER** > **DHCP ENABLED** > **SAVE**.

Configuring the Stereo for use with a Garmin® Marine Network

You can connect this stereo to a Garmin Marine Network in order to view and control the stereo using a compatible Garmin chartplotter.

NOTE: When you configure the stereo for use with a Garmin Marine Network, you are limited to using only Garmin and Fusion devices. You may not be able to use third-party routers, storage devices, or other network products with this stereo directly.

When the stereo is connected to a Garmin Marine Network, you can connect a smartphone to a wireless access point on a connected Garmin chartplotter and use the Fusion-Link™ app to control the stereo.

Select **☰** > **SETTINGS** > **NETWORK** > **GARMIN MARINE NETWORK**.

Resetting Network Settings

You can reset all network settings for this stereo to the factory default values.

Select **☰** > **SETTINGS** > **NETWORK** > **RESET** > **YES**.

Advanced Network Configuration

You can perform advanced networking tasks on a Fusion PartyBus device, such as defining DHCP ranges and setting static IP addresses. See the owner's manual for more information.

Network Troubleshooting

If you cannot see or connect to Fusion PartyBus devices on the network, check the following:

- Verify that only one device, either a stereo or a router, is configured as a DHCP server.
- Verify that all Fusion PartyBus devices, network switches, routers, and wireless access points are connected to the network and turned on.
- Verify that wireless Fusion PartyBus devices are connected to a wireless router or wireless access point on the network.

NOTE: Wired connections are more reliable than wireless connections. If possible, you should connect devices to the network using an Ethernet cable.

- You may experience wireless interference if there are many nearby wireless access points. Change the channel on your router or wireless access point to test for and correct interference.
- Connecting a Bluetooth® device to a stereo configured as a wireless access point or client may reduce wireless performance. Disconnect Bluetooth devices to test for and correct interference.
- If you configured static IP addresses, verify that every device has a unique IP address, that the first three sets of numbers in the IP addresses match, and that the subnet masks on every device are identical.
- If you have made configuration changes that might be causing networking issues, reset all network settings to the factory default values.

Stereo Information

Specifications

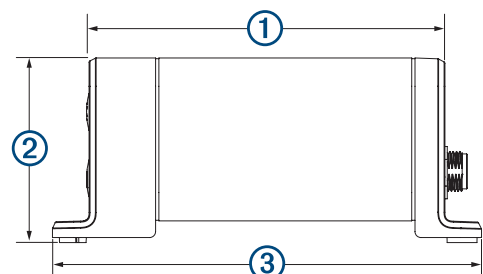
| | |
|--------------------------------|---|
| Weight | 475 g (16.75 oz.) |
| Water rating | IEC 60529 IPX2 ¹ |
| Operating temperature range | From 0 to 50°C (from 32 to 122°F) |
| Storage temperature range | From -20 to 70°C (from -4 to 158°F) |
| Input voltage | From 10.8 to 16 Vdc |
| Current (max.) | 15 A |
| Current (muted) | Less than 700 mA |
| Current (off) | Less than 100 mA |
| Fuse | 15 A mini blade-type |
| NMEA 2000 LEN @ 9 Vdc | 1 (50 mA) |
| Bluetooth wireless range | Up to 10 m (30 ft.) |
| ANT® wireless range | Up to 3 m (10 ft.) |
| Wireless frequencies/protocols | Bluetooth 2.4 GHz @ 12 dBm nominal ANT 2.4 GHz @ 7 dBm nominal |
| Compass-safe distance | 15 cm (6 in.) |

On-board, Class D amplifier

| | |
|--------------------------------|--|
| Output music power per channel | 4 x 70 W max. 2 ohm |
| Total output peak power | 280 W max. |
| Output power per channel | 4 x 43 W RMS at 14.4 Vdc input, 2 ohm, 10% THD ² 4 x 26 W RMS at 14.4 Vdc input, 4 ohm, 10% THD ² |
| Line output level (max.) | 5.5 V (peak to peak) |
| Aux input level (typical) | 1 V RMS |

Stereo Dimension Drawings

Side Dimensions

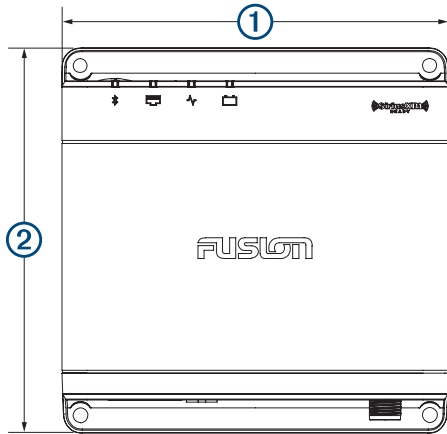


¹ Vertically dripping water shall have no harmful effect when the enclosure is tilted at an angle of 15° from its normal position.

² The stereo may limit the output power to prevent the amplifier from overheating, and to maintain the audio dynamics.

| | |
|---|-------------------|
| ① | 107 mm (4.21 in.) |
| ② | 55 mm (2.17 in.) |
| ③ | 130 mm (5.10 in.) |

Top Dimensions



| | |
|---|-------------------|
| ① | 130 mm (5.10 in.) |
| ② | 130 mm (5.10 in.) |

Software Updates

For best results, you should update the software in all Fusion devices at the time of installation to ensure compatibility.

You can update the software using a USB flash drive not formatted to the NTFS file system. For software updates and instructions on updating the device using the USB flash drive, go to the device product page at fusionentertainment.com/marine.

If the stereo is connected to a Fusion PartyBus network with a Wi-Fi® router, you can also update the software using the Fusion-Link remote control app on your compatible Apple® or Android™ device. To download the app and update the device software, go to the Apple App Store™ or the Google Play™ store.

低功率電波輻射電機管理宣告

本產品謹遵循中華民國國家通訊傳播委員會所頒布電信管理法，並經驗證通過合格，請使用者遵循相關電信法規以避免違反規定受罰。若使用者欲攜帶本機至其他國家應用，也請遵循該地區或國家之相關法令限制。根據國家通訊傳播委員會低功率射頻器材技術規範規定

3.8.2 章節：

取得審驗證明之低功率射頻器材，非經核准，公司、商號或使用者均不得擅自變更頻率、加大功率或變更原設計之特性及功能。

低功率射頻器材之使用不得影響飛航安全及干擾合法通信；經發現有干擾現象時，應立即停用，並改善至無干擾時方得繼續使用。

前項合法通信，指依電信法規定作業之無線電通信。低功率射頻器材須忍受合法通信或工業、科學及醫療用電波輻射性電機設備之干擾。

物質宣言

| 部件名稱 | 有毒有害物質或元素 | | | | | |
|-------------|-----------|---|---|-----|------|-------|
| | 鉛 | 汞 | 鎘 | 六價格 | 多溴聯苯 | 多溴二苯醚 |
| 印刷電路板組件 | X | ○ | ○ | ○ | ○ | ○ |
| 金屬零件 | X | ○ | ○ | ○ | ○ | ○ |
| 電纜 電纜組件 連接器 | X | ○ | ○ | ○ | ○ | ○ |

本表格依据 SJ/T11364 的规定编制。

O: 代表此种部件的所有均质材料中所含的该种有害物质均低于 (GB/T26572) 规定的限量

X: 代表此种部件所用的均质材料中，至少有一类材料其所含的有害物质高于

(GB/T26572) 规定的限量

*該產品說明書應提供在環保使用期限和特殊標記的部分詳細講解產品的擔保使用條件。

中国微功率无线电发射设备合规

一) 工作于 2460 MHz 频段的 ANT 技术无线遥控设备，使用频率：2460 MHz，发射功率限值：10 mW(e.i.r.p)，频率容限：75 kHz
二) 不得擅自改变使用场景或使用条件、扩大发射频率范围、加大发射功率（包括额外加装射频功率放大器），不得擅自更改发射天线；

三) 不得对其他合法的无线电台（站）产生有害干扰，也不得提出免受有害干扰保护；

四) 应当承受辐射射频能量的工业、科学及医疗（ISM）应用设备的干扰或其他合法的无线电台（站）干扰；

五) 如对其他合法的无线电台（站）产生有害干扰时，应立即停止使用，并采取消除措施消除干扰后方可继续使用；

六) 在航空器内和依据法律法规、国家有关规定、标准划设的射电天文台、气象雷达站、卫星地球站（含测控、测距、接收、导航站）等军民用无线电台（站）、机场等的电磁环境保护区域内使用微功率设备，应当遵守电磁环境保护及相关行业主管部门的规定；

八) 微功率设备使用时温度 0–50°C 和电压 10.8–16 Vdc。

© 2020 Garmin Ltd. or its subsidiaries

Garmin®, ANT®, Fusion®, and the Fusion logo are trademarks of Garmin Ltd. or its subsidiaries, registered in the USA and other countries. Apollo™, Fusion-Link™, and Fusion PartyBus™ are trademarks of Garmin Ltd. or its subsidiaries. These trademarks may not be used without the express permission of Garmin.

Apple® is a trademark of Apple Inc., registered in the USA and other countries. App Store™ is a service mark of Apple Inc., registered in the USA and other countries. Android™ and Google Play™ are a trademarks of Google Inc. Bluetooth® word mark and logos are owned by the Bluetooth SIG, Inc. and any use of such marks by Garmin is under license. NMEA 2000® and the NMEA 2000 logo are registered trademarks of the National Marine Electronics Association. SiriusXM® and all related marks and logos are trademarks of Sirius XM Radio Inc. All rights reserved.

M/N: A03924

IC: 1792A-03924