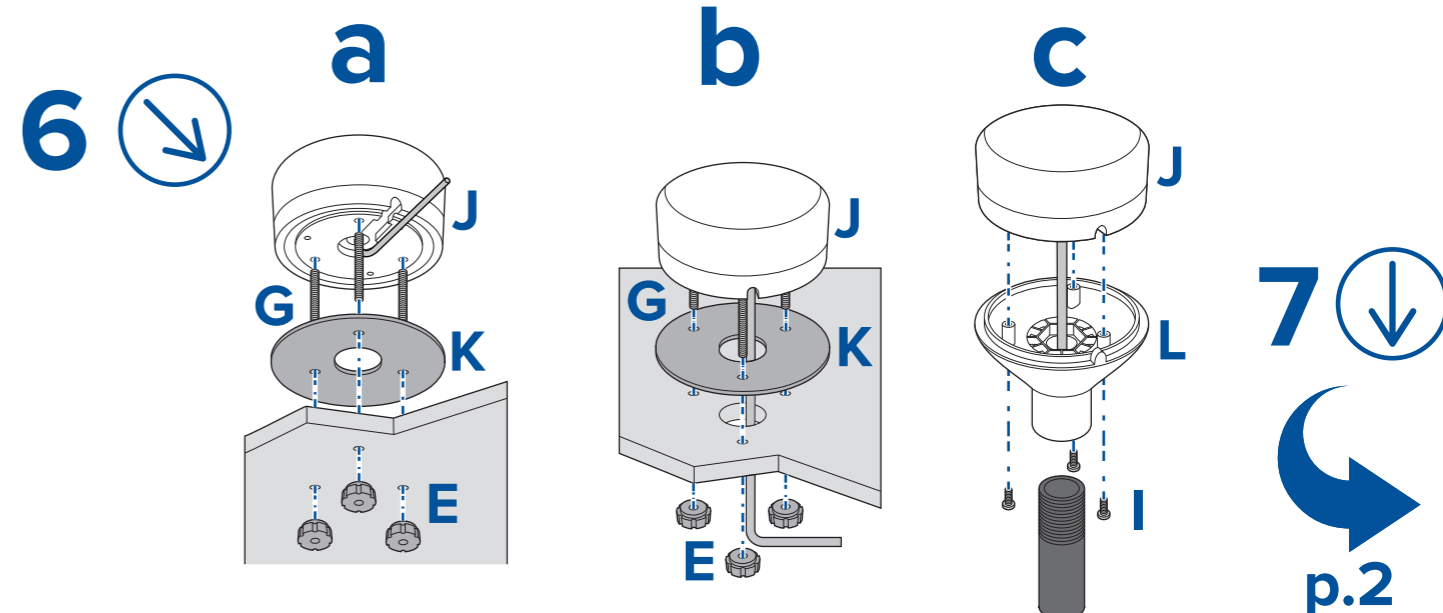
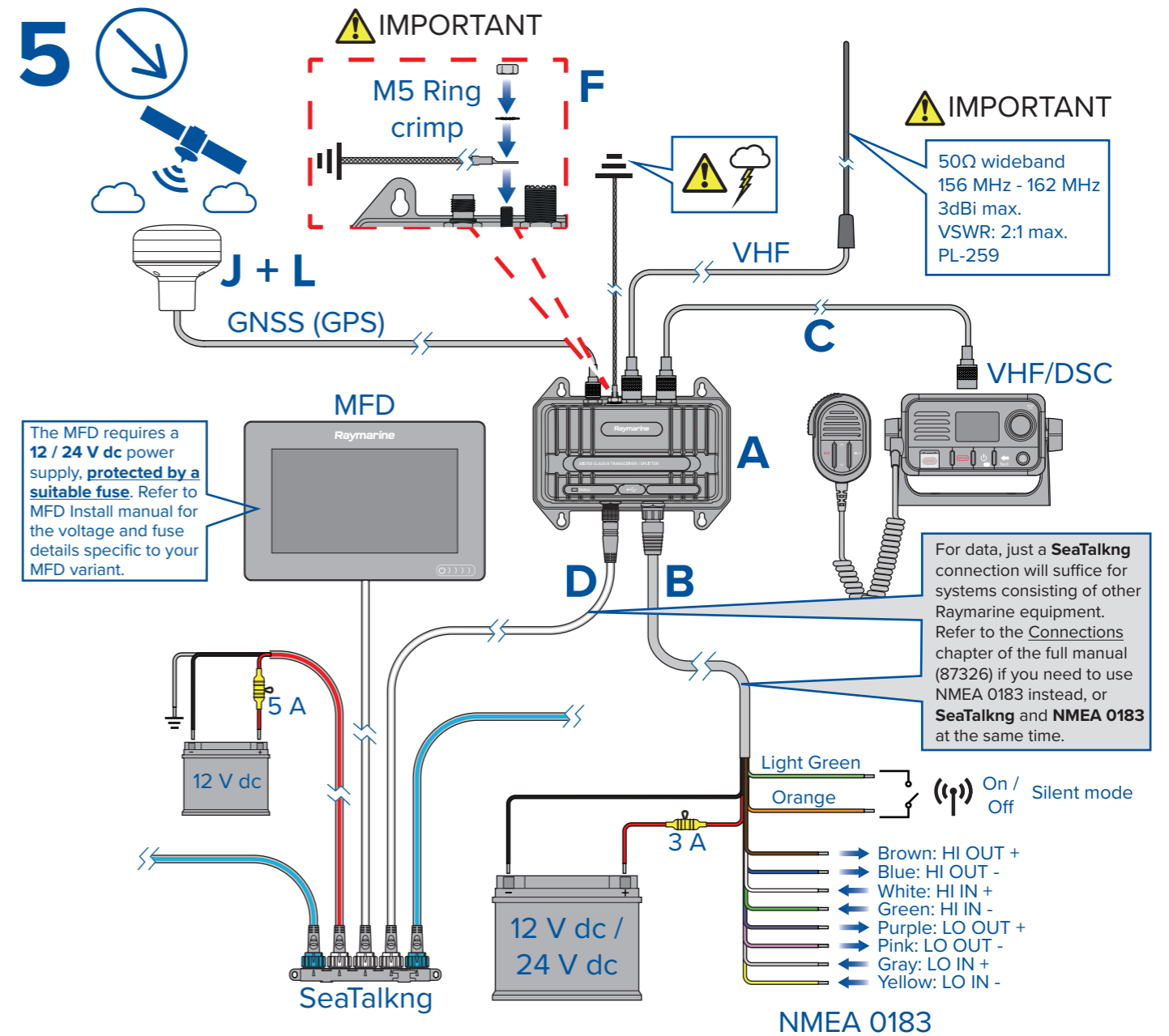
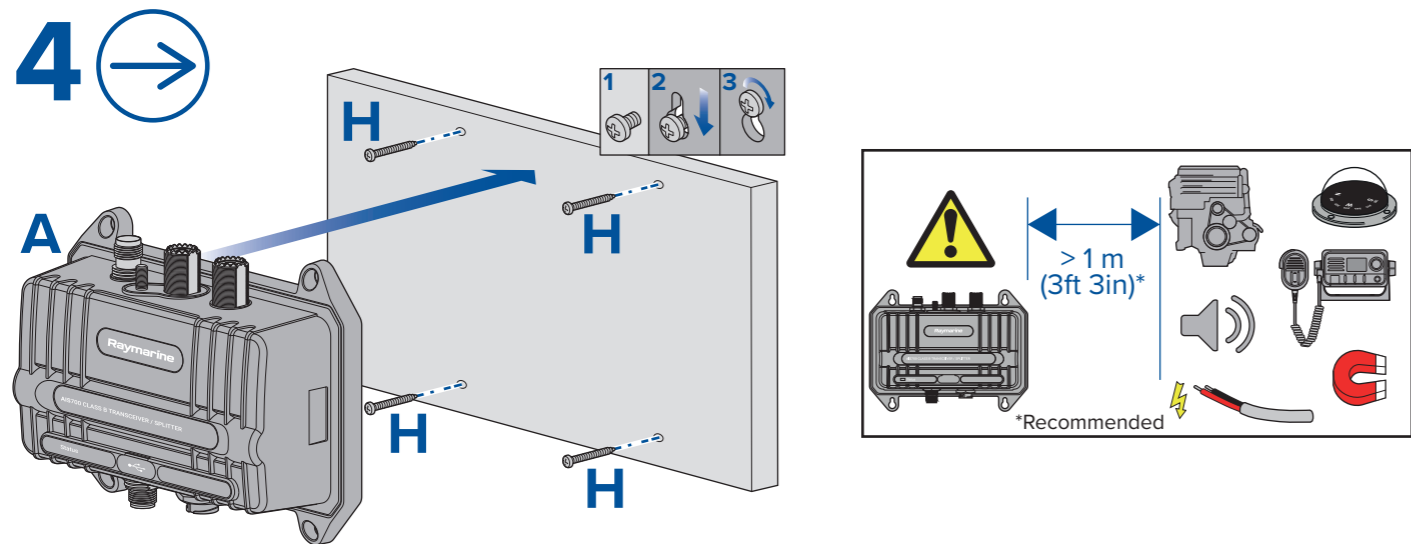
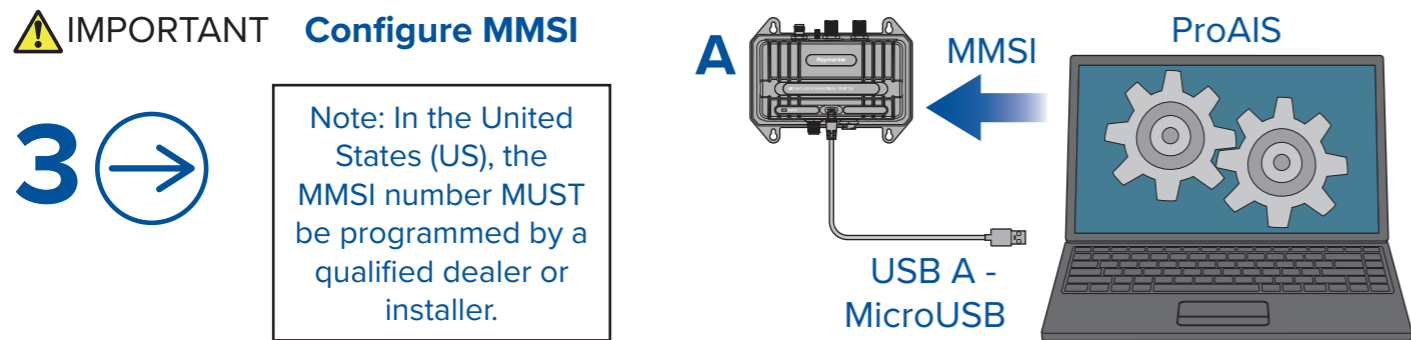
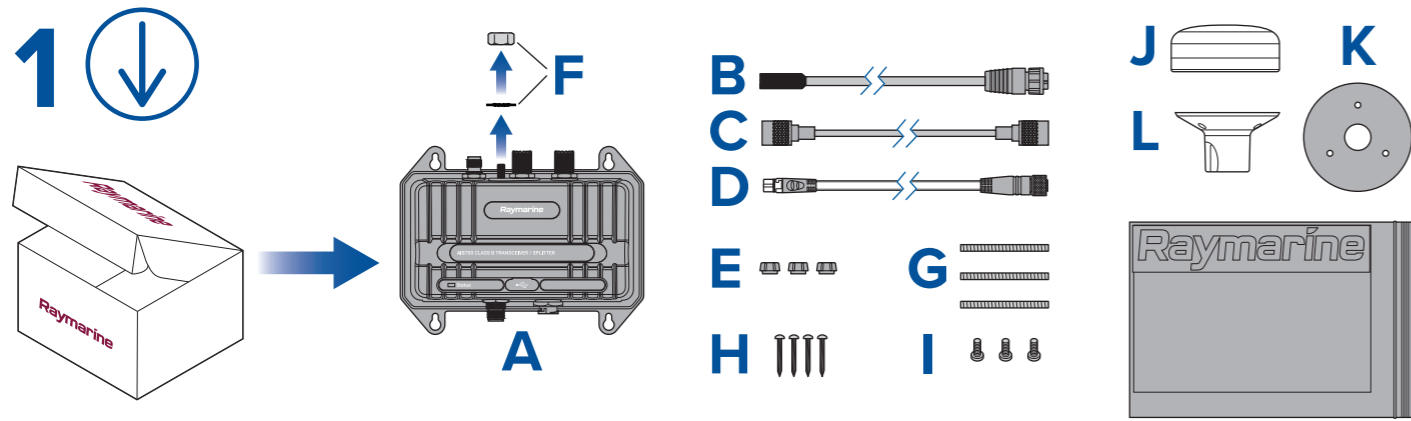


Raymarine AIS700



Operations

7 →

a / c / e / gS / eS Series




Chart app

LH2: Menu > Presentation > Overlays > AIS > ON

81360

Axiom




Chart app

LH3: Menu > Settings > Layers > AIS > ON

81370

Element

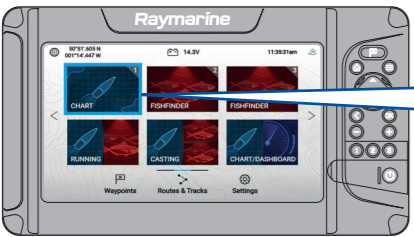
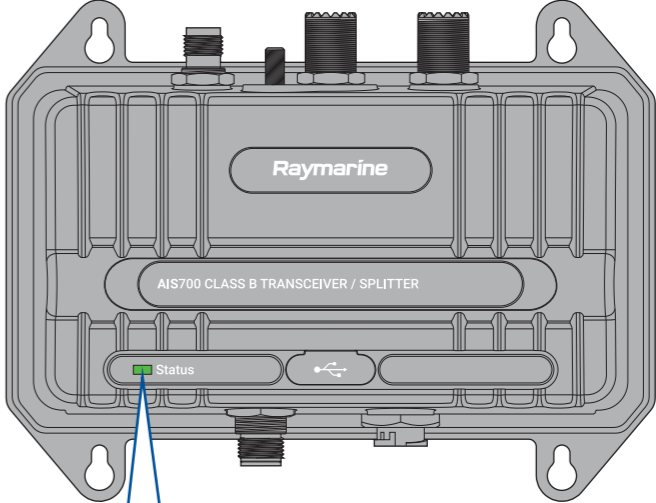


Chart app

LHS: Menu > AIS Targets > Target Settings > AIS > ON

81388

Status

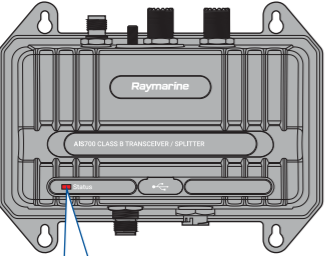


AIS700 CLASS B TRANSCEIVER / SPLITTER

Status

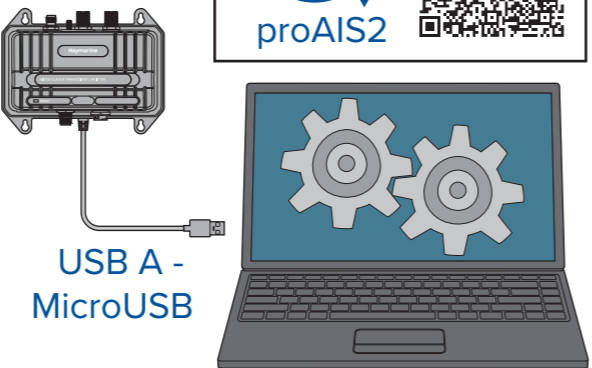
- (📶) ✓ **(Green)** = OK
- | ✗ **(Orange)** = Error & Not transmitting
- ⚙️ ✗ **(Red)** = Not programmed / Error / Fault
- | — — **(Blue)** = Silent mode

Troubleshooting



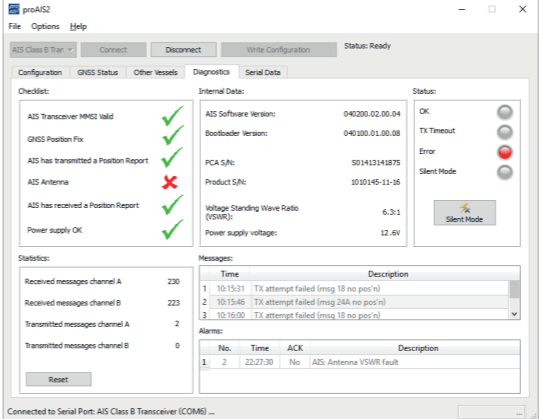
Orange / Red

→



USB A - MicroUSB

→



Connect > Diagnostics

proAIS2

Configuration: AIS Class B Transceiver

Checklist:

- AIS Transceiver MMSI valid ✓
- GNSS Position Fix ✓
- AIS has transmitted a Position Report ✓
- AIS Antenna ✗
- AIS has received a Position Report ✓
- Power supply OK ✓

Internal Data:

- AIS Software Version: 040200.02.00.04 ✓
- Bootloader Version: 040100.01.00.08 ✓
- PCA S/N: 001412141875 ✓
- Product S/N: 1010145-11-95 ✓
- Wave Standing Wave Ratio (SWR): 6.3:1 ✓
- Power supply voltage: 12.6V ✓

Status: Ready

Messages:

No.	Time	ACK	Description
1	10:15:01		TX attempt failed (msg 18 no pos'n)
2	10:15:46		TX attempt failed (msg 26A no pos'n)
3	10:16:00		TX attempt failed (msg 18 no pos'n)

Alarms:

No.	Time	ACK	Description
1	22:27:30	No	AIS Antenna VSWR fault

→

Troubleshooting Guide

